

BioVendor

Research
and Diagnostic Products



HUMAN sVAP-1 ELISA

Product Data Sheet

Cat. No.: RAF117R

For Research Use Only

CONTENTS

1.	INTENDED USE	3
2.	SUMMARY	3
3.	PRINCIPLES OF THE TEST	4
4.	REAGENTS PROVIDED	5
5.	STORAGE INSTRUCTIONS – ELISA KIT	5
6.	SPECIMEN COLLECTION AND STORAGE INSTRUCTIONS	6
7.	MATERIALS REQUIRED BUT NOT PROVIDED	6
8.	PRECAUTIONS FOR USE	7
9.	PREPARATION OF REAGENTS	8
10.	TEST PROTOCOL	10
11.	CALCULATION OF RESULTS	12
12.	LIMITATIONS	15
13.	PERFORMANCE CHARACTERISTICS	15
14.	REFENCES	19
15.	REAGENT PREPARATION SUMMARY	20
16.	TEST PROTOCOL SUMMARY	21

**»» This kit is manufactured by:
BioVendor – Laboratorní medicína a.s.**

»» Use only the current version of Product Data Sheet enclosed with the kit!

1. INTENDED USE

The human sVAP-1 ELISA is an enzyme-linked immunosorbent assay for the quantitative detection of human sVAP-1. **The human sVAP-1 ELISA is for research use only. Not for diagnostic or therapeutic procedures.**

2. SUMMARY

The ability of leukocytes to extravasate from the vasculature to the tissue space is a fundamental feature of the normal immune system. Several cell adhesion molecules play a key role in this complex process of initial and stable adhesion and diapedesis of leukocytes across the endothelial barrier. Vascular adhesion protein-1 (VAP-1) is one of the endothelial cell adhesion molecules that mediates lymphocyte binding to the endothelium under shear conditions.

It is constitutively expressed mainly in high endothelial venules in peripheral lymph nodes. The expression of VAP-1 is induced by chronic inflammation in the vessels of the tonsil, gut, skin and synovium. VAP-1 is also present on sinusoidal and vascular endothelium in the liver under both normal and inflammatory conditions, however it is not found on any of the blood leukocytes.

VAP-1 expression has furthermore been shown in human cervix and vagina mucosa. In psoriasis and allergic lesions, VAP-1 is markedly upregulated.

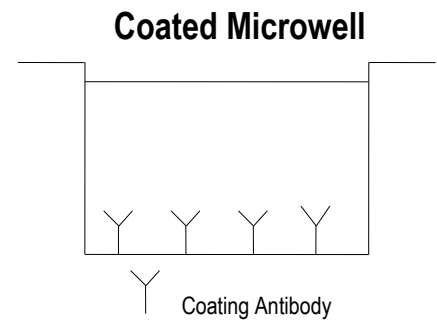
The mature VAP-1 molecule is a 170 kDa homodimeric glycoprotein that consists of two 90 kDa subunits held together by disulfide bonds.

VAP-1 has a large extracellular domain, a single-pass transmembrane domain, and a short cytoplasmic tail. The molecule has abundant sialic acid decorations that are essential to its adhesive function, because VAP-1 is unable to mediate lymphocyte adhesion to desialylated vessels. The leukocyte ligand for VAP-1 is currently unknown. Induction of VAP-1 has been shown at sites of inflammation, such as in inflammatory bowel diseases and chronic dermatoses, where expression of VAP-1 is clearly increased. It is constitutively expressed on hepatic endothelium playing a critical role in regulation of T-cell recirculation to the liver. Strong expression of VAP-1 on tumor endothelium distinguishes human hepatocellular carcinomas from colorectal hepatic metastases.

A circulating form of human Vascular Adhesion Protein-1 (sVAP-1) has been characterized. This sVAP-1 has been shown to be elevated in sera of patients with certain liver diseases and a correlation with the diagnosis of the patients was demonstrated.

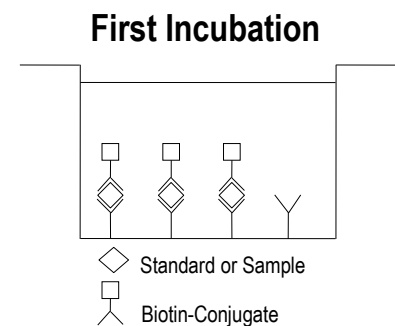
3. PRINCIPLES OF THE TEST

An anti-human sVAP-1 coating antibody is adsorbed onto microwells. Figure 1



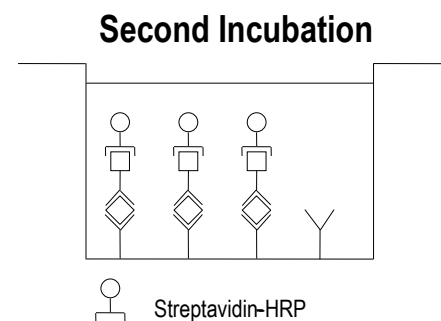
Human sVAP-1 present in the sample or standard binds to antibodies adsorbed to the microwells. A biotin-conjugated anti-human sVAP-1 antibody is added and binds to human sVAP-1 captured by the first antibody. Figure 2

Figure 2



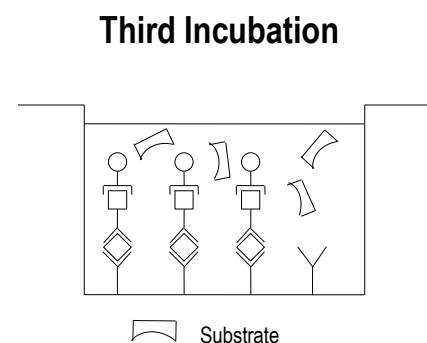
Following incubation unbound biotin-conjugated anti-human sVAP-1 antibody is removed during a wash step. Streptavidin-HRP is added and binds to the biotin-conjugated anti-human sVAP-1 antibody. Figure 3

Figure 3



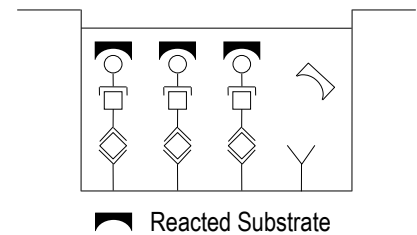
Following incubation unbound Streptavidin-HRP is removed during a wash step, and substrate solution reactive with HRP is added to the wells. Figure 4

Figure 4



A coloured product is formed in proportion to the amount of human sVAP-1 present in the sample or standard. The reaction is terminated by addition of acid and absorbance is measured at 450 nm. A standard curve is prepared from 7 human sVAP-1 standard dilutions and human sVAP-1 sample concentration determined.

Figure 5



4. REAGENTS PROVIDED

- 1 aluminium pouch with a **Antibody Coated Microtiter Strips** with monoclonal antibody to human sVAP-1
- 1 vial (70 µl) **Biotin-Conjugate** anti-human sVAP-1 monoclonal antibody
- 1 vial (150 µl) **Streptavidin-HRP**
- 2 vials human sVAP-1 **Standard** lyophilized, 4 ng/ml upon reconstitution
- 2 vials (5 ml) **Assay Buffer Concentrate** 20x (PBS with 1% Tween 20 and 10% BSA)
- 1 bottle (50 ml) **Wash Buffer Concentrate** 20x (PBS with 1% Tween 20)
- 1 vial (15 ml) **Substrate Solution** (tetramethyl-benzidine)
- 1 vial (15 ml) **Stop Solution** (1M Phosphoric acid)
- 4 **Adhesive Films**

5. STORAGE INSTRUCTIONS – ELISA KIT

Store kit reagents between 2° and 8°C. Immediately after use remaining reagents should be returned to cold storage (2° to 8°C). Expiry of the kit and reagents is stated on labels. Expiry of the kit components can only be guaranteed if the components are stored properly, and if, in case of repeated use of one component, this reagent is not contaminated by the first handling.

6. SPECIMEN COLLECTION AND STORAGE INSTRUCTIONS

Cell culture supernatant, serum, plasma (EDTA, heparin) and amniotic fluid were tested with this assay. Other biological samples might be suitable for use in the assay.

Remove serum or plasma from the clot or cells as soon as possible after clotting and separation.

Samples containing a visible precipitate must be clarified prior to use in the assay. Do not use grossly hemolyzed or lipemic specimens.

Samples should be aliquoted and must be stored frozen at -20°C to avoid loss of bioactive human sVAP-1. If samples are to be run within 24 hours, they may be stored at 2° to 8°C (for sample stability refer to 0).

Avoid repeated freeze-thaw cycles. Prior to assay, the frozen sample should be brought to room temperature slowly and mixed gently.

7. MATERIALS REQUIRED BUT NOT PROVIDED

- 5 ml and 10 ml graduated pipettes
- 5 μl to 1000 μl adjustable single channel micropipettes with disposable tips
- 50 μl to 300 μl adjustable multichannel micropipette with disposable tips
- Multichannel micropipette reservoir
- Beakers, flasks, cylinders necessary for preparation of reagents
- Device for delivery of wash solution (multichannel wash bottle or automatic wash system)
- Microwell strip reader capable of reading at 450 nm (620 nm as optional reference wave length)
- Glass-distilled or deionized water
- Statistical calculator with program to perform regression analysis

8. PRECAUTIONS FOR USE

- All chemicals should be considered as potentially hazardous. We therefore recommend that this product is handled only by those persons who have been trained in laboratory techniques and that it is used in accordance with the principles of good laboratory practice. Wear suitable protective clothing such as laboratory overalls, safety glasses and gloves. Care should be taken to avoid contact with skin or eyes. In the case of contact with skin or eyes wash immediately with water. See material safety data sheet(s) and/or safety statement(s) for specific advice.
- Reagents are intended for research use only and are not for use in diagnostic or therapeutic procedures.
- Do not mix or substitute reagents with those from other lots or other sources.
- Do not use kit reagents beyond expiration date on label.
- Do not expose kit reagents to strong light during storage or incubation.
- Do not pipette by mouth.
- Do not eat or smoke in areas where kit reagents or samples are handled.
- Avoid contact of skin or mucous membranes with kit reagents or specimens.
- Rubber or disposable latex gloves should be worn while handling kit reagents or specimens.
- Avoid contact of substrate solution with oxidizing agents and metal.
- Avoid splashing or generation of aerosols.
- In order to avoid microbial contamination or cross-contamination of reagents or specimens which may invalidate the test use disposable pipette tips and/or pipettes.
- Use clean, dedicated reagent trays for dispensing the conjugate and substrate reagent.
- Exposure to acid inactivates the conjugate.
- Glass-distilled water or deionized water must be used for reagent preparation.
- Substrate solution must be at room temperature prior to use.
- Decontaminate and dispose specimens and all potentially contaminated materials as they could contain infectious agents. The preferred method of decontamination is autoclaving for a minimum of 1 hour at 121.5°C.
- Liquid wastes not containing acid and neutralized waste may be mixed with sodium hypochlorite in volumes such that the final mixture contains 1.0% sodium hypochlorite. Allow 30 minutes for effective decontamination. Liquid waste containing acid must be neutralized prior to the addition of sodium hypochlorite.

9. PREPARATION OF REAGENTS

Buffer Concentrates should be brought to room temperature and should be diluted before starting the test procedure.

If crystals have formed in the **Buffer Concentrates**, warm them gently until they have completely dissolved.

9.1 Wash Buffer (1x)

Pour entire contents (50 ml) of the **Wash Buffer Concentrate** (20x) into a clean 1000 ml graduated cylinder. Bring to final volume of 1000 ml with glass-distilled or deionized water. Mix gently to avoid foaming.

Transfer to a clean wash bottle and store at 2° to 25°C. Please note that Wash Buffer (1x) is stable for 30 days.

Wash Buffer (1x) may also be prepared as needed according to the following table:

Number of Strips	Wash Buffer Concentrate (20x) (ml)	Distilled Water (ml)
1 - 6	25	475
1 - 12	50	950

9.2 Assay Buffer (1x)

Pour the entire contents (5 ml) of the **Assay Buffer Concentrate** (20x) into a clean 100 ml graduated cylinder. Bring to final volume of 100 ml with distilled water. Mix gently to avoid foaming.

Store at 2° to 8°C. Please note that the Assay Buffer (1x) is stable for 30 days.

Assay Buffer (1x) may also be prepared as needed according to the following table:

Number of Strips	Assay Buffer Concentrate (1x) (ml)	Distilled Water (ml)
1 - 6	2.5	47.5
1 - 12	5.0	95.0

9-3 Biotin-Conjugate

Please note that the Biotin-Conjugate should be used within 30 minutes after dilution.

Make a 1:100 dilution of the concentrated **Biotin-Conjugate** solution with Assay Buffer (1x) in a clean plastic tube as needed according to the following table:

Number of Strips	Biotin-Conjugate (ml)	Assay Buffer (1x) (ml)
1 - 6	0.03	2.97
1 - 12	0.06	5.94

9.4 Streptavidin-HRP

Please note that the Streptavidin-HRP should be used within 30 minutes after dilution.

Make a 1:200 dilution of the concentrated Streptavidin-HRP solution with Assay Buffer (1x) in a clean plastic tube as needed according to the following table:

Number of Strips	Streptavidin-HRP (ml)	Assay Buffer (1x) (ml)
1 - 6	0.03	5.97
1 - 12	0.06	11.94

9.5 Human sVAP-1 Standard

Reconstitute human sVAP-1 standard by addition of distilled water.

Reconstitution volume is stated in the Quality Control Sheet. Swirl or mix gently to insure complete and homogeneous solubilization (concentration of reconstituted standard = 4 ng/ml). Allow the reconstituted standard to sit for 10-30 minutes. Mix well prior to making dilutions.

After usage remaining standard cannot be stored and has to be discarded.

Standard dilutions can be prepared directly on the microwell plate (see 10.0) or alternatively in tubes (see 0).

9.5.1 External Standard Dilution

Label 7 tubes, one for each standard point.

S1, S2, S3, S4, S5, S6, S7

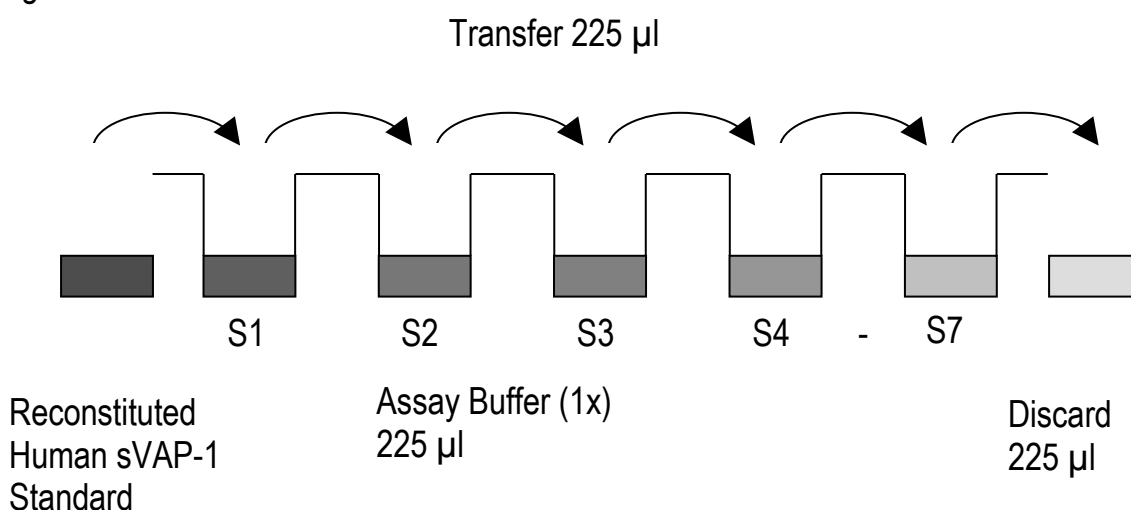
Then prepare 1:2 serial dilutions for the standard curve as follows:

Pipette 225 μ l of Assay Buffer (1x) into each tube.

Pipette 225 μ l of reconstituted standard (concentration = 4 ng/ml) into the first tube, labelled S1, and mix (concentration of standard 1 = 2 ng/ml). Pipette 225 μ l of this dilution into the second tube, labelled S2, and mix thoroughly before the next transfer. Repeat serial dilutions 5 more times thus creating the points of the standard curve (see Figure 6).

Assay Buffer (1x) serves as blank.

Figure 6

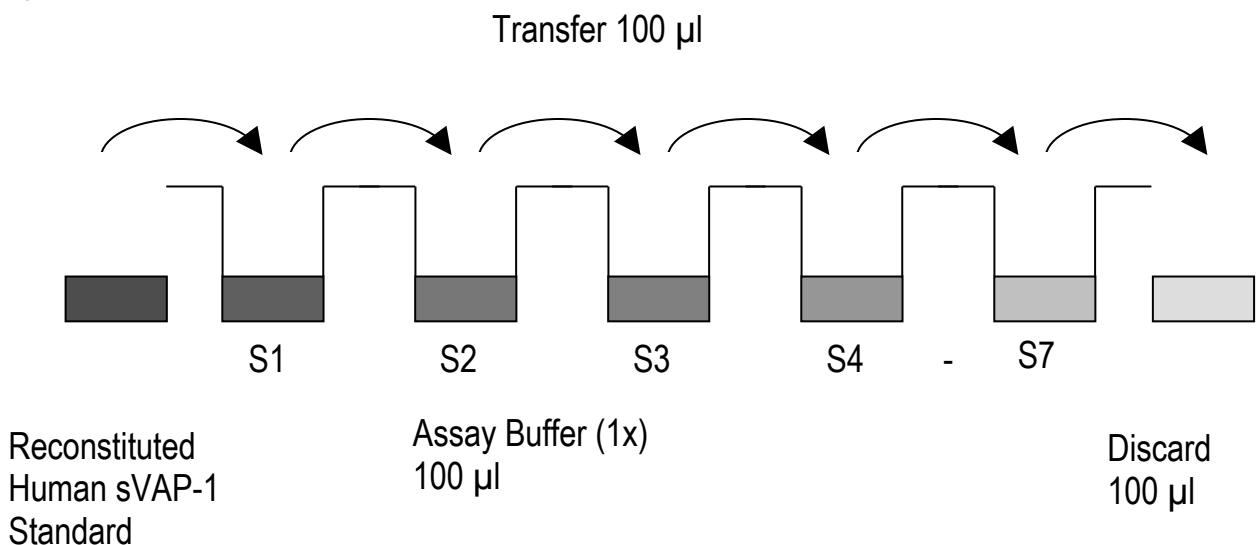


10. TEST PROTOCOL

- a. Predilute serum and plasma samples 1:100 with Assay Buffer (1x) according to the following scheme: 10 μ l sample + 990 μ l Assay Buffer (1x) For cell culture supernatants optimal dilutions have to be determined.
- b. Determine the number of microwell strips required to test the desired number of samples plus appropriate number of wells needed for running blanks and standards. Each sample, standard, blank and optional control sample should be assayed in duplicate. Remove extra microwell strips from holder and store in foil bag with the desiccant provided at 2°-8°C sealed tightly.
- c. Wash the microwell strips twice with approximately 400 μ l **Wash** Buffer per well with thorough aspiration of microwell contents between washes. Allow the Wash Buffer to sit in the wells for about **10 – 15 seconds** before aspiration. Take care not to scratch the surface of the microwells. After the last wash step, empty wells and tap microwell strips on absorbent pad or paper towel to remove excess Wash Buffer. Use the microwell strips immediately after washing. Alternatively microwell strips can be placed upside down on a wet absorbent paper for not longer than 15 minutes. **Do not allow wells to dry.**

Standard dilution on the microwell plate (Alternatively the standard dilution can be prepared in tubes - see 0): Add 100 μ l of Assay Buffer (1x) in duplicate to all **standard wells**. Pipette 100 μ l of prepared **standard** (see Preparation of Standard 0, concentration = 4000.0 pg/ml) in duplicate into well A1 and A2 (see Table 1). Mix the contents of wells A1 and A2 by repeated aspiration and ejection (concentration of standard 1, S1 = 2000.0 pg/ml), and transfer 100 μ l to wells B1 and B2, respectively (see Figure 7). Take care not to scratch the inner surface of the microwells. Continue this procedure 5 times, creating two rows of human sVAP-1 standard dilutions ranging from 2000.0 to 31.3 pg/ml. Discard 100 μ l of the contents from the last microwells (G1, G2) used.

Figure 7



In case of an **external standard dilution** (see 0), pipette 100 µl of these standard dilutions (S1 - S7) in the standard wells according to Table 1.

Table 1

Table depicting an example of the arrangement of blanks, standards and samples in the microwell strips:

	1	2	3	4
A	Standard 1 (2000.0 pg/ml)	Standard 1 (2000.0 pg/ml)	Sample 1	Sample 1
B	Standard 2 (1000.0 pg/ml)	Standard 2 (1000.0 pg/ml)	Sample 2	Sample 2
C	Standard 3 (500.0 pg/ml)	Standard 3 (500.0 pg/ml)	Sample 3	Sample 3
D	Standard 4 (250.0 pg/ml)	Standard 4 (250.0 pg/ml)	Sample 4	Sample 4
E	Standard 5 (125.0 pg/ml)	Standard 5 (125.0 pg/ml)	Sample 5	Sample 5
F	Standard 6 (62.5 pg/ml)	Standard 6 (62.5 pg/ml)	Sample 6	Sample 6
G	Standard 7 (31.3 pg/ml)	Standard 7 (31.3 pg/ml)	Sample 7	Sample 7
H	Blank	Blank	Sample 8	Sample 8

- d. Add 100 µl of **Assay Buffer (1x)** in duplicate to the **blank wells**.
- e. Add 90 µl of **Assay Buffer (1x)** to the **sample wells**.
- f. Add 10 µl of each **sample** in duplicate to the **sample wells**.
- g. Prepare **Biotin-Conjugate** (see Preparation of Biotin-Conjugate 0).
- h. Add 50 µl of **Biotin-Conjugate** to all wells.
- i. Cover with an adhesive film and incubate at room temperature (18 to 25°C) for 2 hours, if available on a microplate shaker.
- j. Prepare **Streptavidin-HRP** (refer to Preparation of Streptavidin-HRP 0).
- k. Remove adhesive film and empty wells. **Wash** microwell strips 4 times according to point c. of the test protocol. Proceed immediately to the next step.
- l. Add 100 µl of diluted **Streptavidin-HRP** to all wells, including the blank wells.
- m. Cover with an adhesive film and incubate at room temperature (18° to 25°C) for 1 hour, if available on a microplate shaker.
- n. Remove adhesive film and empty wells. **Wash** microwell strips 4 times according to point c. of the test protocol. Proceed immediately to the next step.
- o. Pipette 100 µl of **TMB Substrate Solution** to all wells.
- p. Incubate the microwell strips at room temperature (18° to 25°C) for about 10 min. Avoid direct exposure to intense light. **The colour development on the plate should be monitored and the substrate reaction stopped (see next point of this protocol) before positive wells are no longer properly recordable. Determination of the ideal time period for colour development has to be done individually for each assay.** It is recommended to add the stop solution when the highest standard has developed a dark blue colour. Alternatively the colour development can be monitored by the ELISA reader

at 620 nm. The substrate reaction should be stopped as soon as Standard 1 has reached an OD of 0.9 – 0.95.

- q. Stop the enzyme reaction by quickly pipetting 100 µl of **Stop Solution** into each well. It is important that the Stop Solution is spread quickly and uniformly throughout the microwells to completely inactivate the enzyme. Results must be read immediately after the Stop Solution is added or within one hour if the microwell strips are stored at 2 - 8°C in the dark.
- r. Read absorbance of each microwell on a spectro-photometer using 450 nm as the primary wave length (optionally 620 nm as the reference wave length; 610 nm to 650 nm is acceptable). Blank the plate reader according to the manufacturer's instructions by using the blank wells. Determine the absorbance of both the samples and the standards.

Note: In case of incubation without shaking the obtained O.D. values may be lower than indicated below. Nevertheless the results are still valid.

11. CALCULATION OF RESULTS

- Calculate the average absorbance values for each set of duplicate standards and samples. Duplicates should be within 20 per cent of the mean value.
- Create a standard curve by plotting the mean absorbance for each standard concentration on the ordinate against the human sVAP-1 concentration on the abscissa. Draw a best fit curve through the points of the graph (a 5-parameter curve fit is recommended).
- To determine the concentration of circulating human sVAP-1 for each sample, first find the mean absorbance value on the ordinate and extend a horizontal line to the standard curve. At the point of intersection, extend a vertical line to the abscissa and read the corresponding human sVAP-1 concentration.
- **If instructions in this protocol have been followed serum and plasma samples have been diluted 1:1000 (external predilution 1:100, dilution on the plate 1:10: 10 µl sample + 90 µl Assay Buffer (1x)), the concentration read from the standard curve must be multiplied by the dilution factor (x 1000).**
- **Calculation of samples with a concentration exceeding standard 1 may result in incorrect, low human sVAP-1 levels. Such samples require further external predilution according to expected human sVAP-1 values with Assay Buffer (1x) in order to precisely quantitate the actual human sVAP-1 level.**
- It is suggested that each testing facility establishes a control sample of known human sVAP-1 concentration and runs this additional control with each assay. If the values obtained are not within the expected range of the control, the assay results may be invalid.
- A representative standard curve is shown in Figure 8. This curve cannot be used to derive test results. Each laboratory must prepare a standard curve for each group of microwell strips assayed.

Figure 8

Representative standard curve for human sVAP-1 ELISA. Human sVAP-1 was diluted in serial 2-fold steps in Assay Buffer (1x). Do not use this standard curve to derive test results. A standard curve must be run for each group of microwell strips assayed.

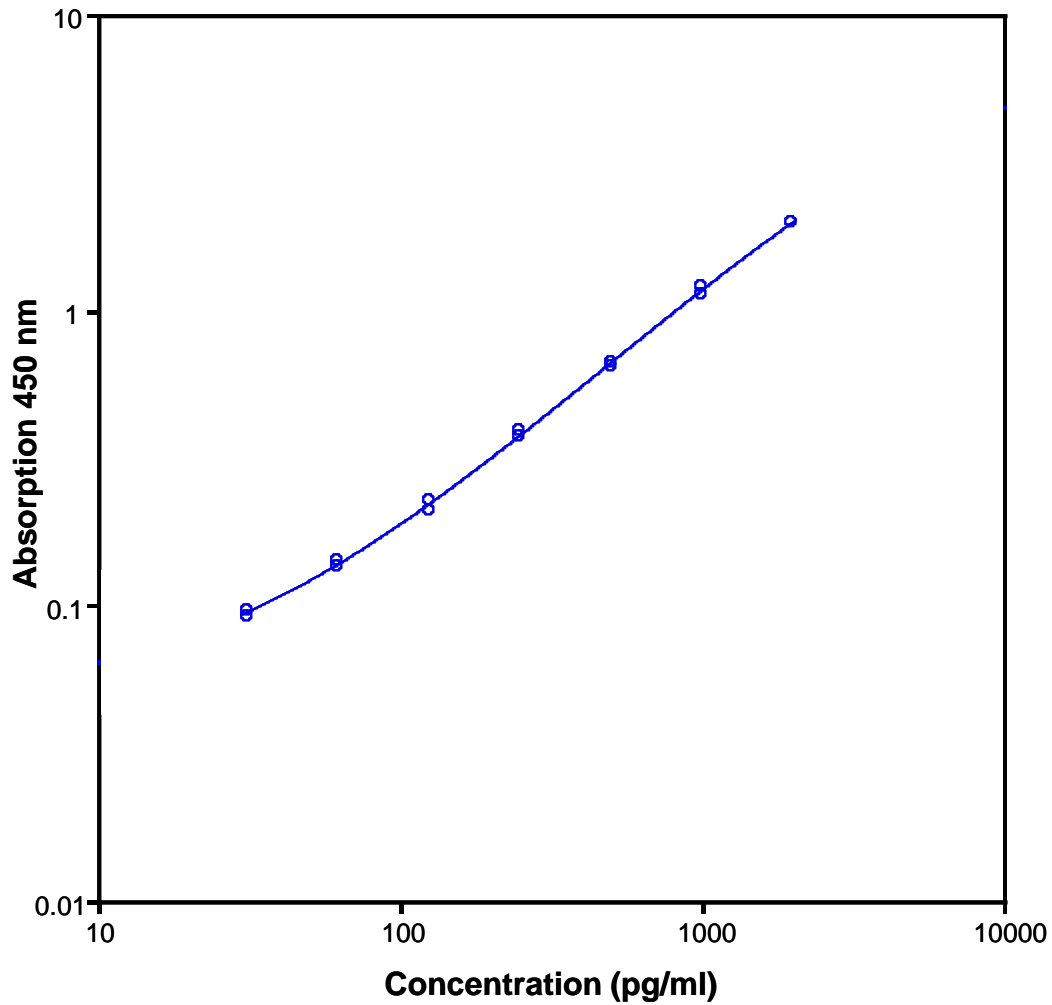


Table 2

Typical data using the human sVAP-1 ELISA

Measuring wavelength: 450 nm

Reference wavelength: 620 nm

Standard	Human sVAP-1 Concentration (pg/ml)	O.D. at 450 nm	Mean O.D. at 450 nm	C.V.(%)
1	2000.0	1.967 1.974	1.971	0.3
2	1000.0	1.130 1.196	1.164	4.0
3	500.0	0.666 0.642	0.655	2.6
4	250.0	0.372 0.388	0.381	3.0
5	125.0	0.208 0.226	0.218	5.9
6	62.5	0.136 0.141	0.139	2.6
7	31.3	0.091 0.096	0.094	3.8
Blank	0	0.072 0.073	0.073	

The OD values of the standard curve may vary according to the conditions of assay performance (e.g. operator, pipetting technique, washing technique or temperature effects). Furthermore shelf life of the kit may affect enzymatic activity and thus colour intensity. Values measured are still valid.

12. LIMITATIONS

- Since exact conditions may vary from assay to assay, a standard curve must be established for every run.
- Bacterial or fungal contamination of either screen samples or reagents or cross-contamination between reagents may cause erroneous results.
- Disposable pipette tips, flasks or glassware are preferred, reusable glassware must be washed and thoroughly rinsed of all detergents before use.
- Improper or insufficient washing at any stage of the procedure will result in either false positive or false negative results. Empty wells completely before dispensing fresh wash solution, fill with Wash Buffer as indicated for each wash cycle and do not allow wells to sit uncovered or dry for extended periods.
- The use of radioimmunotherapy has significantly increased the number of patients with human anti-mouse IgG antibodies (HAMA). HAMA may interfere with assays utilizing murine monoclonal antibodies leading to both false positive and false negative results. Serum samples containing antibodies to murine immunoglobulins can still be analysed in such assays when murine immunoglobulins (serum, ascitic fluid, or monoclonal antibodies of irrelevant specificity) are added to the sample.

13. PERFORMANCE CHARACTERISTICS

13.1 Sensitivity

The limit of detection of human sVAP-1 defined as the analyte concentration resulting in an absorbance significantly higher than that of the dilution medium (mean plus 2 standard deviations) was determined to be 19 pg/ml (mean of 6 independent assays).

13.2 Reproducibility

13.2.1 Intra-assay

Reproducibility within the assay was evaluated in 3 independent experiments. Each assay was carried out with 6 replicates of 8 serum samples containing different concentrations of human sVAP-1. 2 standard curves were run on each plate. Data below show the mean human sVAP-1 concentration and the coefficient of variation for each sample (see Table 3). The calculated overall intra-assay coefficient of variation was 3.0%.

Table 3

The mean human sVAP-1 concentration and the coefficient of variation for each sample

Sample	Experiment	Mean Human sVAP-1 Concentration (ng/ml)	Coefficient of Variation (%)
1	1	363.5	1.9
	2	367.2	4.1
	3	358.1	4.7
2	1	345.3	1.2
	2	396.9	3.7
	3	343.1	4.1
3	1	282.8	2.9
	2	271.9	1.2
	3	267.4	9.0
4	1	208.0	2.0
	2	197.4	4.2
	3	221.2	5.1
5	1	303.0	0.4
	2	282.6	1.6
	3	287.6	4.5
6	1	409.6	3.0
	2	386.6	2.1
	3	398.1	2.5
7	1	297.4	0.4
	2	296.3	0.7
	3	295.8	0.6
8	1	192.9	1.4
	2	207.0	8.2
	3	236.6	2.9

13.2.2 Inter-assay

Assay to assay reproducibility within one laboratory was evaluated in 3 independent experiments. Each assay was carried out with 6 replicates of 8 serum samples containing different concentrations of human sVAP-1. 2 standard curves were run on each plate. Data below show the mean human sVAP-1 concentration and the coefficient of variation calculated on 18 determinations of each sample (see Table 4). The calculated overall inter-assay coefficient of variation was 4.5%.

Table 4

The mean human sVAP-1 concentration and the coefficient of variation of each sample

Sample	Mean Human sVAP-1 Concentration (ng/ml)	Coefficient of Variation (%)
1	362.9	1.3
2	361.8	8.4
3	274.1	2.9
4	208.9	5.7
5	291.1	3.7
6	398.1	2.9
7	296.5	0.3
8	212.2	10.5

13.3 Spiking Recovery

The spiking recovery was evaluated by spiking 4 levels of human sVAP-1 into serum samples. Recoveries were determined in 3 independent experiments with 6 replicates each.

The amount of endogenous human sVAP-1 in unspiked serum was subtracted from the spike values.

The recovery ranged from 82% to 117% with an overall mean recovery of 96%.

13.4 Dilution Linearity

4 serum samples with different levels of human sVAP-1 were analysed at serial 2 fold dilutions with 4 replicates each.

The recovery ranged from 85% to 96% with an overall recovery of 89% (see Table 5).

Table 5

Sample	Dilution	Expected Human Concentration (ng/ml)	Observed Human Concentration (ng/ml)	Recovery of Expected Human Concentration (%)
1	1:1000	--	399	--
	1:2000	199	183	92
	1:4000	100	86	86
2	1:1000	--	397	--
	1:2000	198	177	89
	1:4000	99	85	86
3	1:1000	--	292	--
	1:2000	146	133	91
	1:4000	73	62	85
4	1:1000	--	247	--
	1:2000	123	119	96
	1:4000	62	54	87

13.5 Sample Stability

13.5.1 Freeze-Thaw Stability

Aliquots of serum samples were stored at -20°C and thawed 5 times, and the human sVAP-1 levels determined. There was no significant loss of human sVAP-1 immunoreactivity detected by freezing and thawing.

13.5.2 Storage Stability

Aliquots of serum samples were stored at -20°C, 2-8°C, room temperature (RT) and at 37°C, and the human sVAP-1 level determined after 24 h. There was no significant loss of human sVAP-1 immunoreactivity detected during storage under above conditions.

13.6 Comparison of Serum and Plasma

From 8 individuals, serum as well as EDTA and heparinized plasma obtained at the same time point were evaluated. Human sVAP-1 concentrations were not significantly different and therefore all these body fluids are suitable for the assay.

It is nevertheless highly recommended to assure the uniformity of blood preparations.

13.7 Specificity

The interference of circulating factors of the immune system was evaluated by spiking these proteins at physiologically relevant concentrations into a human sVAP-1 positive serum.

There was no crossreactivity detected.

13.8 Expected Values

A panel of 8 sera samples from randomly selected apparently healthy donors was tested for human sVAP-1.

The detected human sVAP-1 levels ranged between 70.8 and 172.3 ng/ml with a mean level of 125.9 ng/ml.

The levels measured may vary with the sample collection used.

14. REFERENCES

- 1) Arvilommi AM, et al. Organ-selective regulation of vascular adhesion protein-1 expression in man. *Eur J Immunol.* 1997 Jul;27(7):1794-800
- 2) Jalkanen S, et al. Vascular adhesion protein-1 (VAP-1) - a new adhesion molecule recruiting lymphocytes to sites of inflammation. *Res Immunol.* 1993 Nov-Dec;144(9):746-9; discussion 754-62. Review.
- 3) Jalkanen S, et al. A novel endothelial cell molecule mediating lymphocyte binding in humans. *Behring Inst Mitt.* 1993 Aug;(92):36-43. Review
- 4) Johansson EL, et al. Distribution of lymphocytes and adhesion molecules in human cervix and vagina. *Immunology.* 1999 Feb;96(2):272-7.
- 5) Kurkijarvi R, et al. Circulating form of human vascular adhesion protein-1 (VAP-1): increased serum levels in inflammatory liver diseases. *J Immunol.* 1998 Aug 1;161(3):1549-57
- 6) McNab G, et al. Vascular adhesion protein 1 mediates binding of T cells to human hepatic endothelium. *Gastroenterology.* 1996 Feb;110(2):522-8
- 7) Salmi M, et al. Vascular adhesion protein 1 (VAP-1) mediates lymphocyte subtype-specific, selectin-independent recognition of vascular endothelium in human lymph nodes. *J Exp Med.* 1997 Aug 18;186(4):589-600
- 8) Salmi M, et al. Induction and function of vascular adhesion protein-1 at sites of inflammation. *J Exp Med.* 1993 Dec 1;178(6):2255-60
- 9) Salmi M, et al. A 90-kilodalton endothelial cell molecule mediating lymphocyte binding in humans. *Science.* 1992 Sep 4;257(5075):1407-9.
- 10) Salmi M, et al. The role of two distinct endothelial molecules, vascular adhesion protein-1 and peripheral lymph node addressin, in the binding of lymphocyte subsets to human lymph nodes. *J Immunol.* 1998 Jun 1;160(11):5629-36
- 11) Salmi M, et al. Homing of mucosal leukocytes to joints. Distinct endothelial ligands in synovium mediate leukocyte-subtype specific adhesion. *J Clin Invest.* 1997 May 1;99(9):2165-72
- 12) Salmi M, et al. Human vascular adhesion protein 1 (VAP-1) is a unique sialoglycoprotein that mediates carbohydrate-dependent binding of lymphocytes to endothelial cells. *J Exp Med.* 1996 Feb 1;183(2):569-79
- 13) Salmi M, et al. Different forms of human vascular adhesion protein-1 (VAP-1) in blood vessels in vivo and in cultured endothelial cells: implications for lymphocyte-endothelial cell adhesion models. *Eur J Immunol.* 1995 Oct;25(10):2803-12
- 14) Salminen TA, et al. Structural model of the catalytic domain of an enzyme with cell adhesion activity: human vascular adhesion protein-1 (HVAP-1) D4 domain is an amine oxidase. *Protein Eng.* 1998 Dec;11(12):1195-204
- 15) Smith DJ, et al. Cloning of vascular adhesion protein 1 reveals a novel multifunctional adhesion molecule. *J Exp Med.* 1998 Jul 6;188(1):17-27
- 16) Yoong KF, et al. Vascular adhesion protein-1 and ICAM-1 support the adhesion of tumor-infiltrating lymphocytes to tumor endothelium in human hepatocellular carcinoma. *J Immunol.* 1998 Apr 15;160(8):3978-88

15. REAGENT PREPARATION SUMMARY

15.1 Wash Buffer (1x)

Add **Wash Buffer Concentrate** 20x (50 ml) to 950 ml distilled water.

Number of Strips	Wash Buffer Concentrate (ml)	Distilled Water (ml)
1 - 6	25	475
1 - 12	50	950

15.2 Assay Buffer (1x)

Add **Assay Buffer Concentrate** 20x (5 ml) to 95 ml distilled water.

Number of Strips	Assay Buffer Concentrate (ml)	Distilled Water (ml)
1 - 6	2.5	47.5
1 - 12	5.0	95.0

15.3 Biotin-Conjugate

Make a 1:100 dilution of **Biotin-Conjugate** in Assay Buffer (1x):

Number of Strips	Biotin-Conjugate (ml)	Assay Buffer (1x) (ml)
1 - 6	0.03	2.97
1 - 12	0.06	5.94

15.4 Streptavidin-HRP

Make a 1:200 dilution of **Streptavidin-HRP** in Assay Buffer (1x):

Number of Strips	Streptavidin-HRP (ml)	Assay Buffer (1x) (ml)
1 - 6	0.03	5.97
1 - 12	0.06	11.94

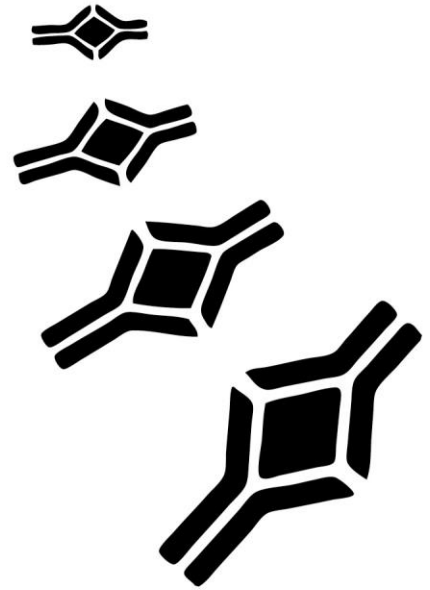
15.5 Human sVAP-1 Standard

Reconstitute lyophilized **human sVAP-1 standard** with distilled water. (Reconstitution volume is stated in the Quality Control Sheet.)

16. TEST PROTOCOL SUMMARY

1. Predilute serum and plasma samples with Assay Buffer (1x) 1:100.
2. Determine the number of microwell strips required.
3. Wash microwell strips twice with Wash Buffer.
4. Standard dilution on the microwell plate: Add 100 µl Assay Buffer (1x), in duplicate, to all standard wells. Pipette 100 µl prepared standard into the first wells and create standard dilutions by transferring 100 µl from well to well. Discard 100 µl from the last wells.
Alternatively external standard dilution in tubes (see 0): Pipette 100 µl of these standard dilutions in the microwell strips.
5. Add 100 µl Assay Buffer (1x), in duplicate, to the blank wells.
6. Add 90 µl Assay Buffer (1x) to sample wells.
7. Add 10 µl sample in duplicate, to designated sample wells.
8. Prepare Biotin-Conjugate.
9. Add 50 µl Biotin-Conjugate to all wells.
10. Cover microwell strips and incubate 2 hours at room temperature (18° to 25°C).
11. Prepare Streptavidin-HRP.
12. Empty and wash microwell strips 4 times with Wash Buffer.
13. Add 100 µl diluted Streptavidin-HRP to all wells.
14. Cover microwell strips and incubate 1 hour at room temperature (18° to 25°C).
15. Empty and wash microwell strips 4 times with Wash Buffer.
16. Add 100 µl of TMB Substrate Solution to all wells.
17. Incubate the microwell strips for about 10 minutes at room temperature (18° to 25°C).
18. Add 100 µl Stop Solution to all wells.
19. Blank microwell reader and measure colour intensity at 450 nm.

Note: If instructions in this protocol have been followed serum and plasma samples have been diluted 1:1000 (predilution 1:100, dilution on the plate 1:10: 10 µl sample + 90 µl Assay Buffer (1x)), the concentration read from the standard curve must be multiplied by the dilution factor (x 1000).



BioVendor – Laboratorní medicína a.s.

Karasek 1767/1, 621 00 Brno, Czech Republic

Phone: +420-549-124-185, Fax: +420-549-211-460

E-mail: info@biovendor.com, sales@biovendor.com

Web: www.biovendor.com

There are BioVendor branches and distributors near you.

To find the office closest to you, visit www.biovendor.com/contact

